



SOLID STATE RELAY

50 Vdc/600mA

CSS-8-1
C.O.T.S.
M28750/8

FEATURES:

- 1000 V rms optical isolation
- High switching speed
- Hermetically sealed-low profile DIP pkg.
- Logic compatible input

ELECTRICAL SPECIFICATIONS:

Input Data:

Input voltage range: 3.0 V dc to 16.0 V dc.

Rated turn-on voltage: 3.0 V dc.

Rated turn-off voltage: 1.0 V dc maximum.

Input current: 18 mA dc maximum.

Turn-on time: 50 microseconds maximum.

Turn-off time: 150 microseconds maximum.

Output Data: (At 25° C unless otherwise specified.)

Rated output current: See Figures 1 and 2.

Rated output voltage: 50 V dc maximum.

Output voltage drop: 1.4 V dc maximum.

Output leakage current: 60 microamperes maximum.

Electrical Data:

Dielectric withstanding voltage: 1,000 V ac rms, 60Hz, all terminals to case.

Insulation resistance: 100 megohms minimum at 500 V dc.

Isolation: 5 picofarads maximum.

Power dissipation: 1.14 watts maximum.

Environmental Data:

Temperature:

Operating: -65° C to +125° C.

Storage: -65° C to +150° C.

Shock (specified pulse): MIL-STD-202, method 213, test condition I (100 G's).

Vibration: MIL-STD-883, method 2007, test condition B (50 G's) except frequency shall be 10 to 3,000 Hz

Acceleration: 5,000 G's, Y1 axis, MIL-STD-883, method 2001, test condition A.

Electromagnetic interference: Maximum broadband conducted emission on power lines with 30 V dc, 0.5 ampere resistive load during steady-state and switching conditions.

Physical Data:

Weight: 5 grams (typical).

Terminal strength: 1 pound pull minimum.

Seal: Hermetic, 10⁻⁸ ATM CM³/S.

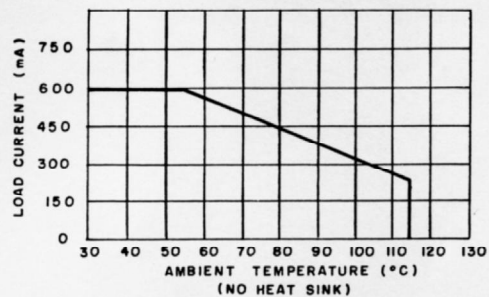
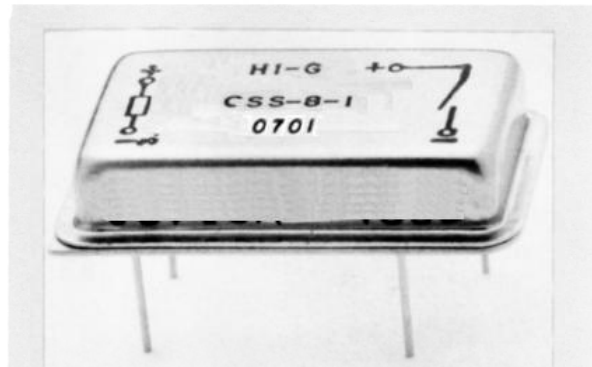


FIGURE 1 Maximum load current vs. ambient temperature.

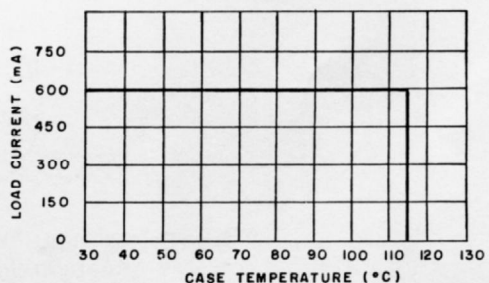
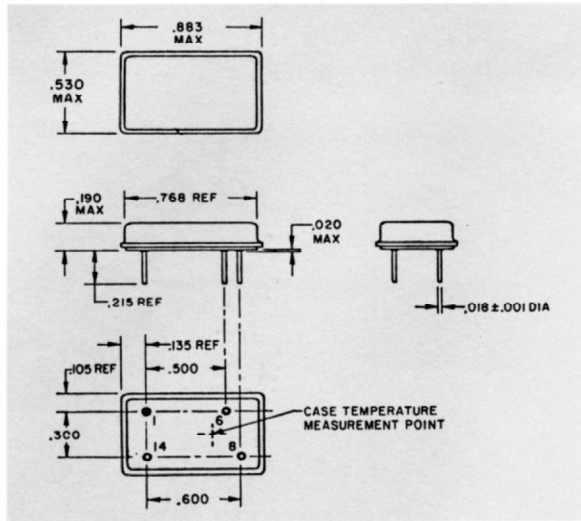


FIGURE 2 Maximum load current vs. case temperature.

SPECIAL NOTES:

- Reversing polarity of output may cause permanent damage.
- Inductive loads must be diode suppressed.

MECHANICAL SPECIFICATIONS



WIRING DIAGRAM

