



AC SOLID STATE RELAY

1A / 250 Vrms (2A with heatsink)

CSS-682-1
C.O.T.S.
M28750/9

FEATURES:

- 1500 Vrms optical isolation
- Zero voltage turn-on
- TTL compatible input
- Low minimum output current
- Extremely low EMI
- Hermetically sealed low profile

ELECTRICAL SPECIFICATIONS

(-55°C to +110°C unless otherwise specified)

Input Data:

Input voltage range:	3.8-32 Vdc
Assured turn-on voltage (max):	3.8 Vdc
Assured turn-off voltage (min):	1.5 Vdc
Input Current (max) (see fig.):	18 mAdc
Reverse voltage protection:	-32 Vdc

Output Data:

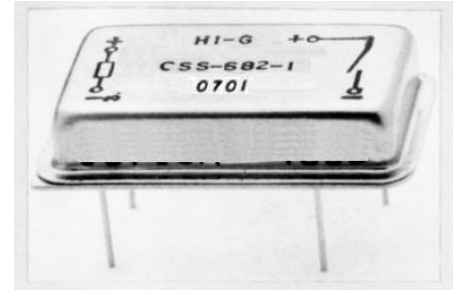
Rated output current (max) (see fig.):	2 A
Rated output voltage:	20-250 Vrms
Output voltage drop @1A (see fig.):	1.5 Vrms
Off-state leakage current @250 Vrms/400Hz (max):	1 mA
Transient voltage (peak):	500 V
Frequency:	40-440Hz
Turn-on time (max):	1/2 cycle
Turn-off time (max):	1 cycle
dV/dt (min) (see fig.):	200 V/μs
Zero voltage turn-on window (peak, max):	±15 V
Junction Temperature (T _J Max) @Rated Current	130°C
Thermal resistance (max.), junction to ambient	65°C/W
Thermal resistance (max.), junction to case	15°C/W
Load power factor (min)	0.2

Electrical Data:

Dielectric Withstanding voltage (min)	1500 Vrms
Insulation resistance (min) @500 Vdc	10 ⁹ Ω
Input to Output Capacitance	10 pF

ENVIRONMENTAL DATA:

Ambient temperature (operating):	-55°C to +110°C
Ambient temperature (storage):	-55°C to +125°C
Vibration:	20 g, 10 to 2000 Hz
Shock:	1500 g, 0.5ms pulse
Acceleration:	5000 g



MECHANICAL SPECIFICATIONS

Weight: 175 oz (5 grams) max

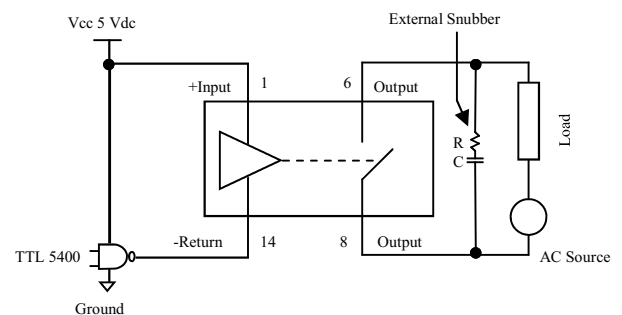
Materials:

Head: Kovar

Terminals: Kovar, gold plated

Cover: Nickel

WIRING DIAGRAM



R = 100 Ω 1/2 W - C = 0.01 μF (600 V)
(source impedance = 50 Ω)

