



# TO-5 CASE RELAY SENSITIVE DPDT

Series  
MS

• Basic • Suppression • Suppression/Steering • Transistor Driven

## Product Description

A series of ultra miniature hermetically sealed relays constructed in a transistor style case, providing superior performance and established reliability characteristics. Available in a variety of sensitivities contact configurations and hybrid versions, to provide a most versatile element to the circuit designer. The following construction features ensure the highest reliability in extreme environments:

- All welded relay construction
- Cleaning and sealing techniques ensures maximum internal cleanliness
- Low level to 1 ampere switching
- 2 form C, DPDT contacts, special metal alloy with gold plating
- Frame design and force / mass ratio provides exceptional shock and vibration immunity

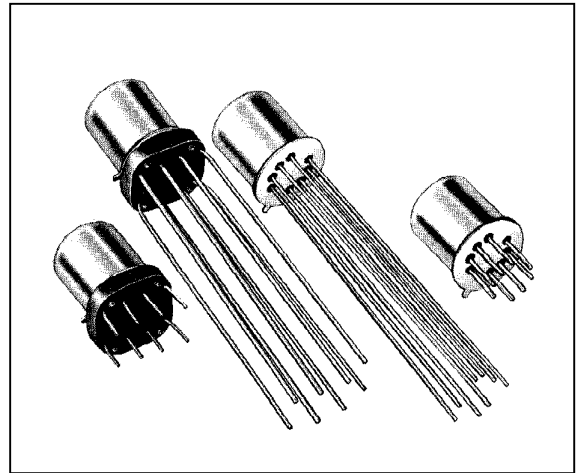
Low intercontact capacitance and contact circuit losses, provides also a reliable switching functions in demanding RF applications, combined with small size and low coil power dissipation (see figure 1).

## Series Types (note 1)

- **MS\*** Basic Relay, 2 form C, DPDT
- **MS\*D** Basic Relay combined with an internal diode for coil transient suppression
- **MS\*DD** Basic Relay incorporates two internal diodes for coil transient suppression and polarity reversal protection
- **MS\*T** Basic Relay incorporating an internal transistor driver and diode for coil transient suppression

## Environmental and Physical Specifications

Temperature (Ambient)	- 65°C to + 125°C
Shock	75 g, 6 ms.
Vibration (sinusoidal)	30 g, 10 to 3000 Hz
Vibration (random)	0,4 g <sup>2</sup> / Hz, 50 to 2000 Hz
Acceleration	50 g
Sealing	All welded, Hermetic
Weight	0,15 oz. (4,25 grams) max.

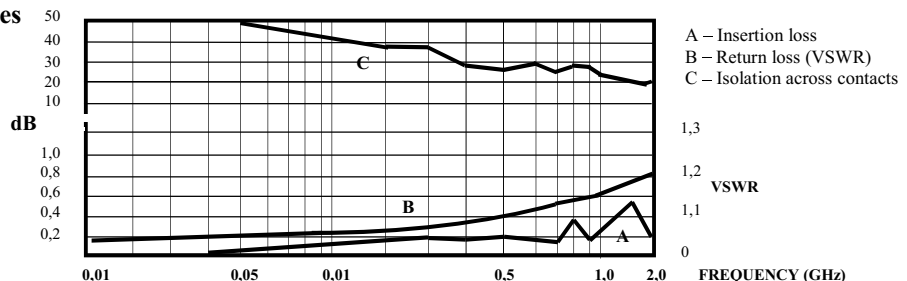


## Electrical Characteristics (over the Temperature range. Unless otherwise noted)

<b>Coil Data</b>	See Typical Characteristics chart		
<b>Contact Rating</b>	<b>Type Load</b>	<b>Contact Load</b>	<b>Cycles min.</b>
(Note: All ratings with grounded case)	Low Level	10 to 50 $\mu$ A / 10 to 50 mV	1.000.000
	Resistive	1 A / 28 Vdc	100.000
		250 mA / 115Vac, 60 and 400 Hz (Case not grounded)	100.000
		100 mA / 115 Vac, 60 and 400 Hz	100.000
	Resistive overload	2 A / 28 Vdc	100
Inductive	200 mA / 28 Vdc (320 mH)	100.000	
Lamp	100 mA / 28 Vdc	100.000	
<b>Contact Resistance</b>	0,1 $\Omega$ max. initial, 0,2 $\Omega$ max. after life		
<b>Operate Time</b>	4,0 ms. max.		
<b>Release Time</b>	2,0 ms. max. Series: MS*	7,5 ms. max. Series: MS*D, MS*DD, MS*T	
<b>Contact Bounce</b>	1,5 ms. max.		
<b>Dielectric Strength</b>	500 Vrms min., 60 Hz, all points at sea level	125 Vrms min., 60 Hz, all points at 70.000 ft.	
<b>Insulation Resistance</b>	10.000 M $\Omega$ min. all points at 500 Vdc		
<b>Intercontact Capacitance</b>	0,7 pF typical		
<b>Sensitivity</b>	60 mW at pick-up, 250 mW at nominal rated coil voltage, at 25 °C		
<b>Diode P.I.V.</b>	100 Vdc min. Series: MS*D, MS*DD, MS*T		
<b>Negative Coil Transient</b>	1,0 Vdc max. Series: MS*D, MS*DD, MS*T		
<b>Transistor Characteristics at 25 °C (Series MS*T)</b>	Emitter-Base Voltage (V <sub>eb0</sub> )		6,0 Vdc min.
	Collector-Base Breakdown Voltage (V <sub>cb0</sub> ) (I <sub>c</sub> = 100 $\mu$ A)		80 Vdc min.
	Base Turn-Off Voltage		0,3 Vdc min.

Figure 1 – Radio Frequency Curves

Note:  
Radio frequency curves are typical characteristics based on factory knowledge. Tests to ensure compliance on RF performance, are not performed.





# TO-5 CASE RELAY SENSITIVE DPDT

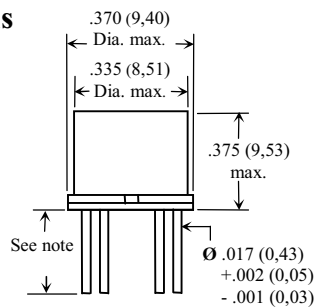
Series  
MS

• Basic • Suppression • Suppression/Steering • Transistor Driven

## Typical Characteristics

Description	Meas	Series Types		Coil Voltage Code							
				5	6	9	12	18	26	36	48
Coil Voltage	Vdc	MS*, MS*D, MS*DD, MS*T	Nom.	5,0	6,0	9,0	12,0	18,0	26,5	36,0	48,0
		MS*, MS*D, MS*DD, MS*T	Max.	7,0	10,0	15,0	20,0	30,0	40,0	57,0	75,0
Coil Resistance at 25°C	Ω	MS*, MS*D, MS*T	± 10%	100	200	400	850	1600	3300	6500	11000
		MS*DD		64	125						
Coil Current at 25°C	mA <sub>dc</sub>	MS*DD	Min.	56,8	36,3	18,1	11,7	9,6	7,0	4,9	3,9
			Max.	78,1	48,9	23,6	15,0	12,2	8,8	6,1	4,8
		MS*T	Min.	43,5	26,4	19,7	12,2	9,7	6,9	4,8	3,7
			Max.	59,3	35,4	25,8	16,7	13,1	9,5	6,4	5,1
Pick-up Voltage at 25°C	Vdc	MS*, MS*D	Typ.	2,6	3,4	4,85	7,0	9,8	14,0	20,0	25,8
		MS*DD	Typ.	2,9	4,0	6,1	7,8	11,3	15,2	21,7	27,8
		MS*T	Typ.	2,8	3,8	5,2	7,4	10,0	14,2	20,0	25,8
Drop-Out Voltage at 25°C	Vdc	MS*, MS*D, MS*T	Min.	0,22	0,28	0,54	0,63	0,91	1,37	1,8	2,4
			Max.	1,4	2,0	3,0	4,0	6,0	8,0	10,0	13,0
		MS*DD	Min.	0,8	0,9	1,1	1,3	1,5	1,7	2,3	2,8
			Max.	2,2	2,5	3,6	4,6	7,0	10,8	14,7	19,8
Base Current to Turn-on	mA <sub>dc</sub>	MS*T (limit for base / emitter current to 15 mA max.)	Max.	1,50	1,00	0,75	0,47	0,38	0,24	0,17	0,13

## Outline Dimensions

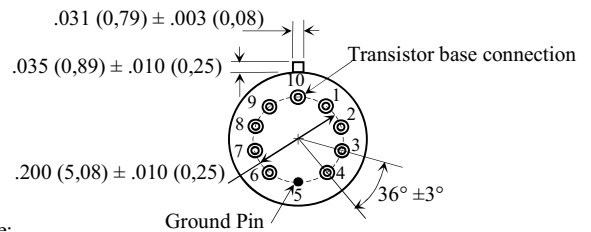


Note:

- Dimensions are shown in inches (millimetres)
- Terminal Variants: - (C) Standard Wire Terminal = .500 (12,7) min,
- (W) Long Wire Terminal = 1.500 (38,1) min,
- (P) Pin Terminal = .187 ± .010 (4,75 ± 0,25)

## Terminal Locations

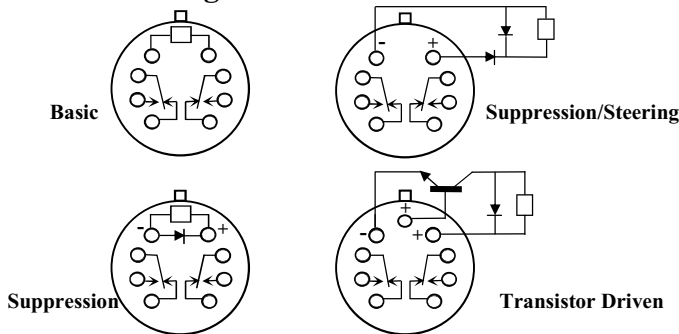
### Basic, Suppressed and Transistor Driven



Note:

- Dimensions are shown in inches (millimetres)
- Viewed from terminals, numbers are for reference only
- Ground pin is optional

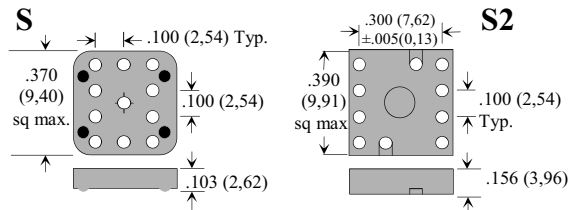
## Schematic Diagrams



Note: Schematics are viewed from terminals

## Spreader Pads

Relays can be supplied with a spreader pad epoxied to the relay header, to prevent the possible shorting of printed circuit board land lines and to facilitate circuit board cleaning. To order relay with pad add. "S" or "S2" to Part Number, Example: MSWD - 26S



Note:

- Dimensions are in inches (millimetres)

## Note:

1 " \* " Indicates Terminal Variants: C, P or W

## How to Order, (Part Numbering System)

