



FULL SIZE CRYSTAL CAN RELAY 2 AMPERE SENSITIVE

**Series
2BC-7201**

Product Description

A complete series of full crystal can hermetically sealed relays manufactured in compliance to the referenced Military specification. The leading relay design in military and commercial application is represented in Hi-G Italia 2BC-7201 series relay. The product advanced design provides superior performance in the environmental and operational requirements of today's sophisticated equipment. The following construction features ensure the highest reliability in extreme environments:

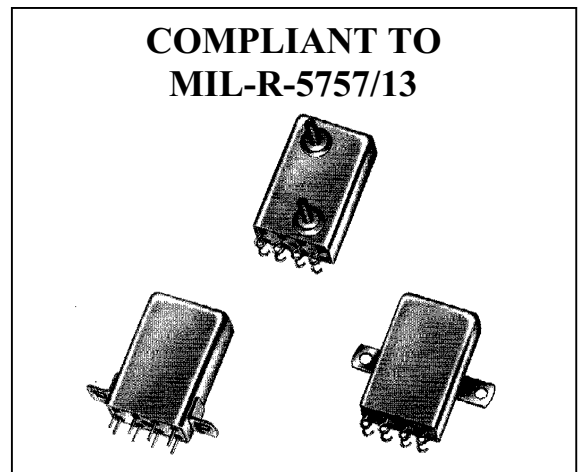
- All welded relay construction
- Cleaning and sealing techniques ensures maximum internal cleanliness
- Low level to 2 amperes switching
- 2 form C, DPDT contacts, special metal alloy with gold plating
- Frame, armature designs and force / mass ratio provides exceptional immunity to shock and vibration.

Series Type

- **2BC-7201** 2 form C, DPDT

Environmental and Physical Specifications

Temperature (Ambient)	- 65°C to + 125°C
Shock	100 g, 6 ms.
Vibration (sinusoidal)	15 g, 10 to 2000 Hz
Acceleration	30 g
Sealing	All welded, Hermetic
Weight	1,1 oz. (31,19 grams) max.



Electrical Characteristics (over the Temperature range. Unless otherwise noted)

Coil Data	See Typical Characteristics chart		
Contact Rating	Type Load	Contact Load	Cycles min.
(Note: All ratings with grounded case)	Low Level	10 to 50 μ A / 10 to 50 mV	100.000
	Resistive	2 A / 28 Vdc	100.000
		0,3 A / 115 Vac, 60 and 400 Hz	100.000
	Inductive	0,75 A / 28 Vdc (200 mH)	100.000
	Lamp	0,1 A / 28 Vdc	100.000
Contact Resistance	0,05 Ω max. initial, 0,1 Ω max. after life high level, 0,15 Ω max. after low level		
Operate Time	15,0 ms. max.		
Release Time	10,0 ms. max.		
Contact Bounce	2,0 ms. max.		
Dielectric Strength	1.000 Vrms min., 60 Hz, all points, 500 Vrms min. between open contacts and coil to case, at sea level	350 Vrms min., 60 Hz, all points at 70.000 ft.	
Insulation Resistance	1.000 M Ω min. all points at 500 Vdc		
Intercontact Capacitance	2,5 pF between contacts		
Sensitivity	1,0 W max. at nominal rated coil voltage, at 25 °C		



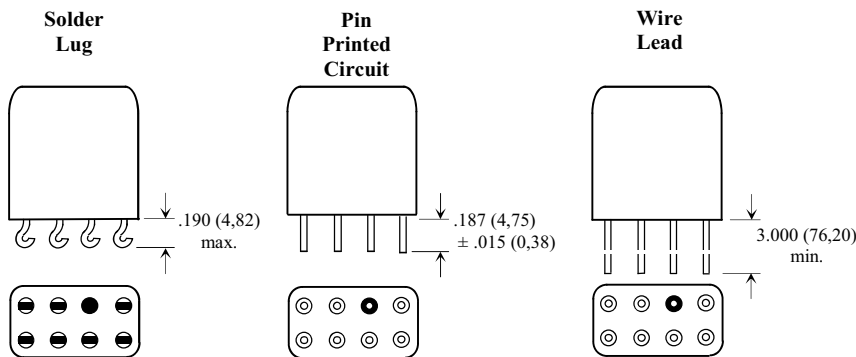
FULL SIZE CRYSTAL CAN RELAY 2 AMPERE SENSITIVE

**Series
2BC-7201**

Typical Characteristics

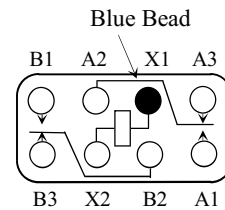
TERMINAL MOUNTING	Lug	Lug	Lug	Lug	Pin	Wire	Coil Resistance Ω $\pm 10\%$ at 25°C	OPERATE PARAMETERS			
	Flange A	Flange B	Bracket	Stud	Flange A	Stud		Coil Current mAdc Nom.	Pull-in mAdc Max.	Drop-out mAdc Max.	Drop-out mAdc Min.
	-083	-104	-134	-114	-093	-124	20	90,0	45,0	22,5	4,5
	-084	-105	-135	-115	-094	-125	100	40,0	20,0	10,0	2,0
					-095		200	28,4	14,2	10,0	1,4
	-085	-106	-136	-116	-096	-126	500	18,0	9,0	4,5	0,9
	-086	-107	-137	-117	-097	-127	1000	13,0	6,5	3,1	0,65
	-087	-108	-138	-118	-098	-128	1500	11,0	5,2	2,6	0,52
	-088	-109	-139	-119	-099	-129	2000	9,0	4,5	2,2	0,50
	-089	-110	-140	-120	-100	-130	2500	8,0	4,0	2,0	0,40
	-090	-111	-141	-121	-101	-131	5000	6,0	2,8	1,4	0,30
	-091	-112	-142	-122	-102	-132	8000	5,0	2,3	1,1	0,23
	-092	-113	-143	-123	-103	-133	10000	4,0	2,0	1,0	0,20

Terminal Styles



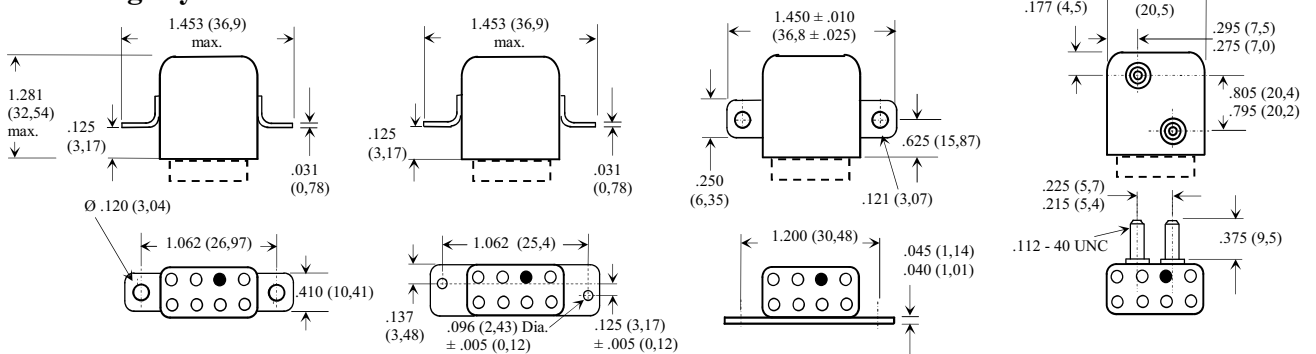
Note:
 - Dimensions are shown in inches (millimetres)
 - Terminal spacing is .200 (5,08). Terminal diameter is .030 (0,76) \pm .002 (0,05)

Schematic Diagram



Note:
 - Schematics are viewed from terminals

Mounting Styles



Note:
 - Dimensions are shown in inches (millimetres)

How to Order, (Part Numbering System)

2BC-7201 - 096 P

Series Type

Dash number (see characteristics table)

Spacer Pad (Optional). See half crystal type

Note: Relays compliant to MIL-R-5757/13 are designated 2BC-7201 and applicable dash numbers coincide with Hi-G Italia dash numbers